

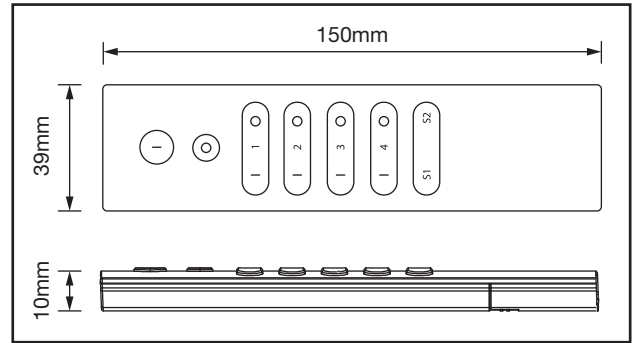
AiQ/4Z/RMT

Mono Smart Remote -
4 Zone Smart Remote Control



PRODUCT FEATURES

- Supports 4 Zones & 2 Scenes
- Able To Control A Maximum Of 30 Devices
- Long Battery Life
- Can Be Used Independently Or In Conjunction With A Smart Hub
- Rubberised Finish
- Comes With Self Adhesive Magnetic Mount



TECHNICAL SPECIFICATIONS

PRODUCT CODE	AiQ/4Z/RMT
Protocol	Zigbee 3.0
Operating Voltage	3VDC
Battery Type	CR2032 x1
Transmission Frequency	2.4 GHz
Transmission Range (Uninterrupted)	30m
Ingress Protection	IP20



*Zigbee Hub Required for Smart Functionality
*Hub Choice May Affect Product Functionality